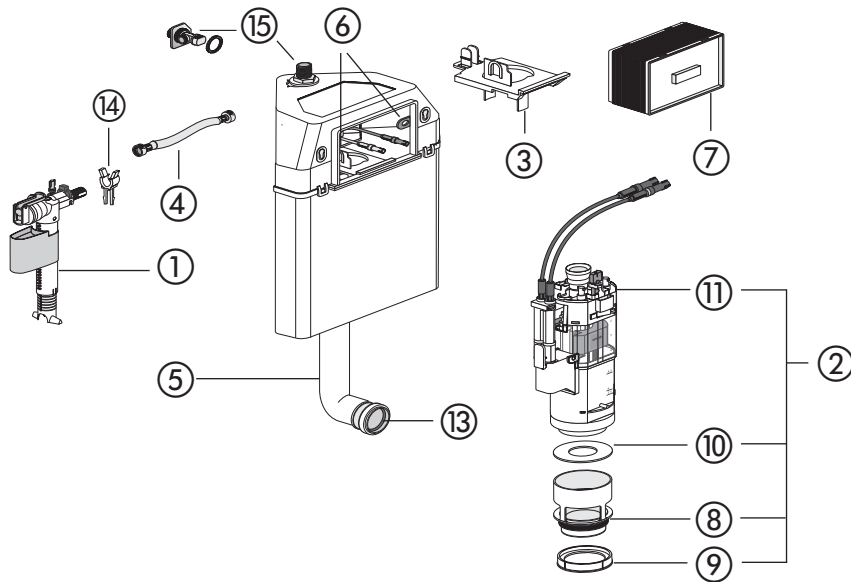
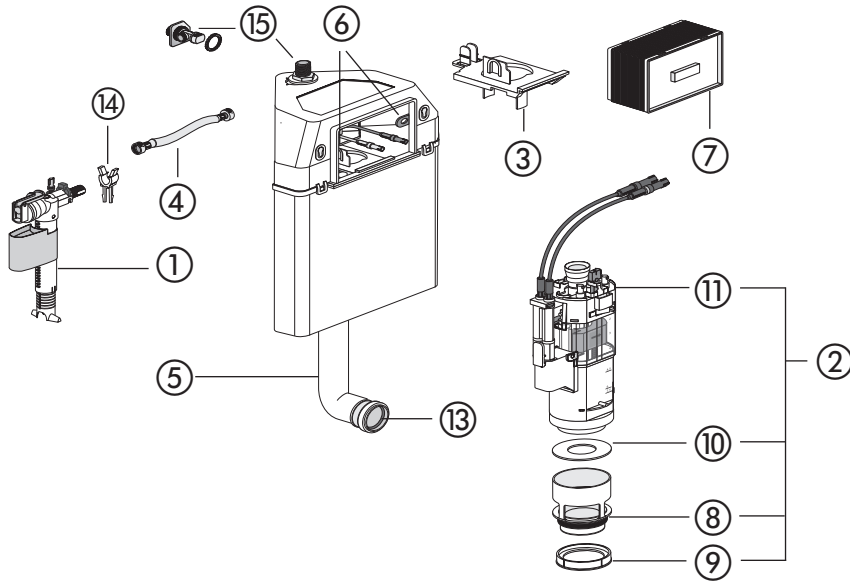


**WC-Eckelement 995 SC, CC-200-S-FO-2V-2C, mit kleiner Revisionsöffnung**

Nr.	Bezeichnung	Art.-Nr.	Unverb. Richtpreis/€
1	Universal-Füllventil 510, G 3/8 x 30 mm	25.001.00..0000	
2	Universal Ablaufarmatur INEO	03.982.00..0000	
3	Niederhalter	04.173.00..0000	
4	Flexibler Schlauch DN6 280 mm	05.266.00..0000	
5	Spülbogen mit Rundring	03.847.00..0000	
6	Riegel	02.972.00..0000	
7	Bauschutz mit Deckel	16.030.00..0000	
8	Rundring ø 55 x 5	02.436.00..0000	
9	Spülstromdrossel	02.758.00..0000	
10	Dichtring ø 31 x ø 63 x 2,8	02.754.00..0000	
11	Baugruppe Kabelbox	05.019.00..0000	
12 *	Start/Stop-Set	03.999.00..0000	
13	Lippendichtung ø 45	02.461.00..0000	
14	Füllventilhalter	02.971.00..0000	
15	Eckventil Anschlusset R 1/2	05.247.00..0000	

**WC corner element 995 SC, CC-200-S-FO-2V-2C, with small access opening**



No.	Name	Code No.	Recommended price/€
1	Universal fill valve 510, G 3/8 x 30 mm	25.001.00..0000	
2	Universal flush valve INEO	03.982.00..0000	
3	Positioning device	04.173.00..0000	
4	Flexible hose DN6 280 mm	05.266.00..0000	
5	Flush pipe with O-Ring	03.847.00..0000	
6	Toggle	02.972.00..0000	
7	Pretection box with cover	16.030.00..0000	
8	O-Ring d: 55 x 5	02.436.00..0000	
9	Flush flow reducer	02.758.00..0000	
10	Sealing ring d: 31 x d: 63 x 2.8	02.754.00..0000	
11	Cable box	05.019.00..0000	
12 *	Start/stop set	03.999.00..0000	
13	Lip seal d: 45	02.461.00..0000	
14	Fill valve support	02.971.00..0000	
15	Angle valve connection set R 1/2	05.247.00..0000	

\* no illustration