

Technical catalogue



Clamp saddles in PP-H



Reference standards

Production of the ASTORE clamp saddles is carried out according to the highest quality standards and in full compliance with the environmental restrictions set by the applicable laws in force and in accordance with ISO 14001. All products are made in accordance with the quality guarantee system in compliance with ISO 9001.

- **EN 10226**

Pipe threads where pressure tight joints are made on the threads.

- **EN 12201**

Plastics piping systems for water supply, and for drains and sewers under pressure – Polyethylene

- **ISO 13460-1**

Agricultural irrigation equipment – Plastics saddles for polyethylene pressure pipes

- **ISO 161-1**

Thermoplastics pipes for the conveyance of fluids –Nominal outside diameters and nominal pressures , metric series

- **ISO 228-1**

Fittings with threaded connections

- **ISO 4427**

Plastics piping systems for water supply, and for drains and sewers under pressure – Polyethylene

- **ISO 7**

Fittings with pressure-tight threaded joints

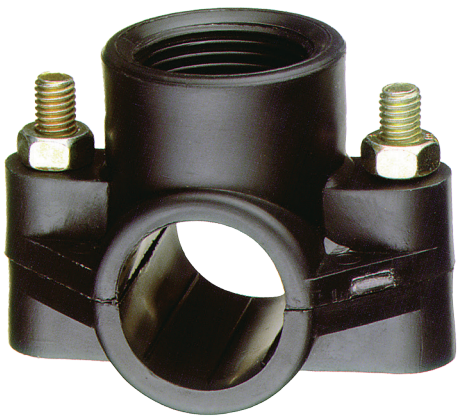
CLAMP SADDLES PP

Astore clamp saddles are the ideal solution for branching from existing pipelines for water and irrigation.

CLAMP SADDLES IN PP

- Astore clamp saddles are supplied in three types: 503, 505 and 508.

Technical specifications	
Size range	<p>503 single branch: Coupling with pipes from D 20 up to D 110 mm, threaded branches from 1/2" to 3". Provided with 2 or 4 bolts according to the diameters.</p> <p>505 single branch: Coupling with pipes from D 20 up to D 315 mm, threaded branches from 1/2" to 4". Provided with 2, 4 or 6 bolts according to the diameters and metal reinforcing ring on the threaded branches.</p> <p>508 double branch: Coupling with pipes from D 20 up to D 315 mm, threaded branches from 1/2" to 4". Provided with 2, 4 or 6 bolts according to the diameters and metal reinforcing ring on the threaded branches.</p>
Pressione nominale	<p>503: pressure rating at 20° C: 6 bar according to ISO 13460.</p> <p>505-508: see enclosed table.</p>
Reference standards	<p>Threads following BS 21 - ISO 7 up to D 160 mm, ISO 228 from D 180 to D 315 mm.</p> <p>Coupling to pipes complying:</p> <ul style="list-style-type: none"> -PE metric sized according to, ISO 4427 and EN 12201. -PVC metric sized according to EN ISO 1452. -PP metric sized according to EN ISO 15494.
Materials	<p>Saddle body in PP black co-polymer, nuts and bolts in zinc chromed steel, o-ring gasket in NBR, reinforcing ring in AISI 430.</p> <p>In case of very aggressive atmospheres (like very close to the sea) the installator has to choose the adequate metallic nuts and bolts.</p>



503



505



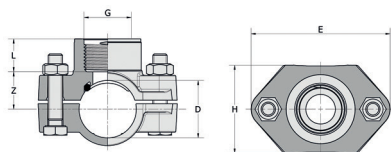
508

505-508 WORKING PRESSURE

at 20° according to ISO 13460

d x R	1/2"	3/4"	1"	1"1/4	1"1/2	2"	2"1/2	3"	4"
20	10 bar								
25	10 bar	10 bar							
32	10 bar	10 bar	10 bar						
40	10 bar	10 bar	10 bar						
50	10 bar	10 bar	10 bar						
63	10 bar	10 bar	10 bar	10 bar	10 bar				
75	10 bar	10 bar	10 bar	10 bar	10 bar	10 bar			
90	10 bar	10 bar	10 bar	10 bar	10 bar	10 bar			
110	10 bar	10 bar	10 bar	10 bar	10 bar	10 bar		6 bar	
125		10 bar	10 bar	10 bar	10 bar	10 bar			
140			10 bar	10 bar	10 bar	10 bar	6 bar	6 bar	
160		10 bar	10 bar	10 bar	10 bar	10 bar		6 bar	
180				6 bar	6 bar	6 bar		6 bar	6 bar
200				6 bar	6 bar	6 bar		6 bar	6 bar
225				4 bar	4 bar	4 bar		4 bar	4 bar
250				4 bar	4 bar	4 bar		4 bar	4 bar
280				4 bar	4 bar	4 bar		4 bar	4 bar
315				4 bar	4 bar	4 bar		4 bar	4 bar

PP CLAMP SADDLE FITTINGS



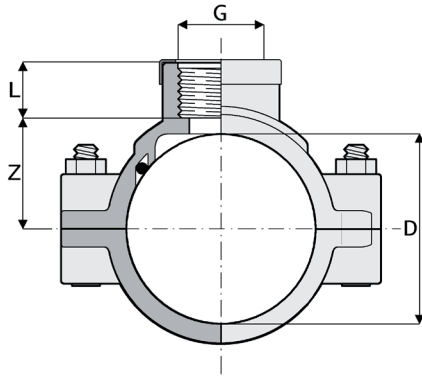
503

Clamp saddle for irrigation

Gasket: NBR O-ring

Bolts: Zinc chromed steel. 2 or 4 pcs. according to the diameter

D x G	PN	L	Z	E	H	g	n°Bolts	Bolts	Code
20 x 1/2"	6	17	16	62	37,5	51	2	M6 x 35	1S50320B00F
25 x 1/2"	6	18,5	18,5	69	43	62	2	M6 x 35	1S50325B00F
25 x 3/4"	6	18,5	18,5	69	43	66	2	M6 x 35	1S50325C00F
32 x 1/2"	6	17	22	78	49	96	2	M8 x 45	1S50332B00F
32 x 3/4"	6	18,3	21	78	49	98	2	M8 x 45	1S50332C00F
32 x 1"	6	18,5	22,5	91	60	131	2	M8 x 45	1S50332D00F
40 x 1/2"	6	17	28	84	55	115	2	M8 x 45	1S50340B00F
40 x 3/4"	6	18,3	28,5	84	55	120	2	M8 x 45	1S50340C00F
40 x 1"	6	22	27	84	55	125	2	M8 x 45	1S50340D00F
50 x 1/2"	6	17	34,5	87	57	117	2	M8 x 45	1S50350B00F
50 x 3/4"	6	18,3	34,5	87	57	120	2	M8 x 45	1S50350C00F
50 x 1"	6	22	34,5	87	57	125	2	M8 x 45	1S50350D00F
63 x 1/2"	6	17	40	100	71	235	4	M8 x 50	1S50363B00F
63 x 3/4"	6	20	40	100	71	240	4	M8 x 50	1S50363C00F
63 x 1"	6	22	40	100	71	242	4	M8 x 50	1S50363D00F
63 x 1 1/4"	6	24	40	100	71	250	4	M8 x 50	1S50363E00F
63 x 1 1/2"	6	24	40	100	71	255	4	M8 x 50	1S50363F00F
75 x 1/2"	6	17	44,5	120	91	310	4	M8 x 50	1S50375B00F
75 x 3/4"	6	20	44,5	120	91	315	4	M8 x 50	1S50375C00F
75 x 1"	6	22	44,5	120	91	322	4	M8 x 50	1S50375D00F
75 x 1 1/4"	6	24	44,5	120	91	350	4	M8 x 50	1S50375E00F
75 x 1 1/2"	6	24	44,5	120	91	330	4	M8 x 50	1S50375F00F
75 x 2"	6	26	44,5	120	91	330	4	M8 x 50	1S50375G00F
90 x 1/2"	6	17	52	137	91	355	4	M8 x 60	1S50390B00F
90 x 3/4"	6	20	52	137	91	357	4	M8 x 60	1S50390C00F
90 x 1"	6	22	52	137	91	360	4	M8 x 60	1S50390D00F
90 x 1 1/4"	6	24	52	137	91	360	4	M8 x 60	1S50390E00F
90 x 1 1/2"	6	24	52	137	91	368	4	M8 x 60	1S50390F00F
90 x 2"	6	26	52	137	91	374	4	M8 x 60	1S50390G00F
110 x 1/2"	6	17	65	155	98,5	400	4	M8 x 60	1S50311B00F
110 x 3/4"	6	20	65	155	98,5	403	4	M8 x 60	1S50311C00F
110 x 1"	6	22	65	155	98,5	410	4	M8 x 60	1S50311D00F
110 x 1 1/4"	6	24	65	155	98,5	420	4	M8 x 60	1S50311E00F
110 x 1 1/2"	6	24	65	155	98,5	426	4	M8 x 60	1S50311F00F
110 x 2"	6	24	65	155	98,5	435	4	M8 x 60	1S50311G00F
110 x 3"	6	33	65	159	118,5	507	4	M8 x 60	1S50311I00F



505

Clamp saddle with reinforcing metal ring

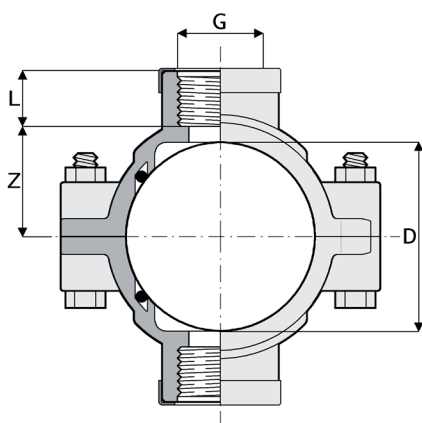
Metal ring: AISI 430

Gasket: NBR O-ring

Bolts: Zinc chromed steel. 2, 4 or 6 pcs. according to the diameter

D x G	PN	L	Z	E	H	g	n°Bolts	Bolts	Code
20 x 1/2"	10	17	16	62	37,5	56	2	M6 x 35	1S50520B00F
25 x 1/2"	10	18,5	18,5	69	43	67	2	M6 x 35	1S50525B00F
25 x 3/4"	10	18,5	18,5	69	43	71	2	M6 x 35	1S50525C00F
32 x 1/2"	10	17	22	78	49	99	2	M8 x 45	1S50532B00F
32 x 3/4"	10	18,3	21	78	49	103	2	M8 x 45	1S50532C00F
32 x 1"	10	18,5	22,5	91	60	138	2	M8 x 45	1S50532D00F
40 x 1/2"	10	17	28	84	55	119	2	M8 x 45	1S50540B00F
40 x 3/4"	10	18,3	28,5	84	55	125	2	M8 x 45	1S50540C00F
40 x 1"	10	22	27	84	55	132	2	M8 x 45	1S50540D00F
50 x 1/2"	10	17	34,5	87	57	119	2	M8 x 45	1S50550B00F
50 x 3/4"	10	18,3	34,5	87	57	123	2	M8 x 45	1S50550C00F
50 x 1"	10	22	34,5	87	57	132	2	M8 x 45	1S50550D00F
63 x 1/2"	10	17	40	100	71	237	4	M8 x 50	1S50563B00F
63 x 3/4"	10	20	40	100	71	244	4	M8 x 50	1S50563C00F
63 x 1"	10	22	40	100	71	249	4	M8 x 50	1S50563D00F
63 x 1 1/4"	10	24	40	100	71	260	4	M8 x 50	1S50563E00F
63 x 1 1/2"	10	24	40	100	71	267	4	M8 x 50	1S50563F00F
75 x 1/2"	10	17	44,5	120	91	312	4	M8 x 50	1S50575B00F
75 x 3/4"	10	20	44,5	120	91	319	4	M8 x 50	1S50575C00F
75 x 1"	10	22	44,5	120	91	329	4	M8 x 50	1S50575D00F
75 x 1 1/4"	10	24	44,5	120	91	360	4	M8 x 50	1S50575E00F
75 x 1 1/2"	10	24	44,5	120	91	342	4	M8 x 50	1S50575F00F
75 x 2"	10	26	44,5	120	91	346	4	M8 x 50	1S50575G00F
90 x 1/2"	10	17	52	137	91	358	4	M8 x 60	1S50590B00F
90 x 3/4"	10	20	52	137	91	360	4	M8 x 60	1S50590C00F
90 x 1"	10	22	52	137	91	367	4	M8 x 60	1S50590D00F
90 x 1 1/4"	10	24	52	137	91	370	4	M8 x 60	1S50590E00F
90 x 1 1/2"	10	24	52	137	91	380	4	M8 x 60	1S50590F00F
90 x 2"	10	26	52	137	91	390	4	M8 x 60	1S50590G00F
110 x 1/2"	10	17	65	155	98,5	403	4	M8 x 60	1S50511B00F
110 x 3/4"	10	20	65	155	98,5	407	4	M8 x 60	1S50511C00F
110 x 1"	10	22	65	155	98,5	417	4	M8 x 60	1S50511D00F
110 x 1 1/4"	10	24	65	155	98,5	430	4	M8 x 60	1S50511E00F
110 x 1 1/2"	10	24	65	155	98,5	438	4	M8 x 60	1S50511F00F
110 x 2"	10	24	65	155	98,5	451	4	M8 x 60	1S50511G00F
110 x 3"	10	33	65	155	98,5	537	4	M8 x 60	1S50511I00F
125 x 3/4"	10	20	73,5	168	101	540	4	M8 x 60	1S50513C00F
125 x 1"	10	22	73,5	168	101	543	4	M8 x 60	1S50513D00F
125 x 1 1/4"	10	24	73,5	168	101	545	4	M8 x 60	1S50513E00F
125 x 1 1/2"	10	24	73,5	168	101	548	4	M8 x 60	1S50513F00F
125 x 2"	10	24	73,5	168	101	552	4	M8 x 60	1S50513G00F
140 x 1"	10	22	80	189	134	921	6	M8 x 60	1S50515D00F
140 x 1 1/4"	10	24	80	189	134	923	6	M8 x 60	1S50515E00F
140 x 1 1/2"	10	24	80	189	134	926	6	M8 x 60	1S50515F00F
140 x 2"	10	24	80	189	134	930	6	M8 x 60	1S50515G00F
140 x 2 1/2"	10	24	80	189	134	937	6	M8 x 60	1S50515H00F
140 x 3"	10	33	80	189	134	944	6	M8 x 60	1S50515I00F
160 x 3/4"	10	22	88	213	137	987	6	M8 x 60	1S50517C00F

D x G	PN	L	Z	E	H	g	n°Bolts	Bolts	Code
160 x 1"	10	22	88	213	137	991	6	M8 x 60	1S50517D00F
160 x 1 ¹ / ₄ "	10	24	88	213	137	994	6	M8 x 60	1S50517E00F
160 x 1 ¹ / ₂ "	10	24	88	213	137	996	6	M8 x 60	1S50517F00F
160 x 2"	10	28,5	88	213	137	1000	6	M8 x 60	1S50517G00F
160 x 3"	10	36	88	213	137	1014	6	M8 x 60	1S50517I00F
180 x 1 ¹ / ₄ "	6	24	115	265	171	2289	6	M10 x 80	1S50518E00
180 x 1 ¹ / ₂ "	6	24	115	265	171	2292	6	M10 x 80	1S50518F00
180 x 2"	6	24	115	265	171	2296	6	M10 x 80	1S50518G00
180 x 3"	6	33	115	265	171	2310	6	M10 x 80	1S50518I00
180 x 4"	6	42	115	265	171	2314	6	M10 x 80	1S50518L00
200 x 1 ¹ / ₄ "	6	24	115	265	171	2019	6	M10 x 80	1S50521E00
200 x 1 ¹ / ₂ "	6	24	115	265	171	2022	6	M10 x 80	1S50521F00
200 x 2"	6	24	115	265	171	2026	6	M10 x 80	1S50521G00
200 x 3"	6	33	115	265	171	2040	6	M10 x 80	1S50521I00
200 x 4"	6	42	115	265	171	2044	6	M10 x 80	1S50521L00
225 x 1 ¹ / ₄ "	4	24	127,5	280	173	2165	6	M10 x 80	1S50523E00
225 x 1 ¹ / ₂ "	4	24	127,5	280	173	2145	6	M10 x 80	1S50523F00
225 x 2"	4	24	127,5	280	173	2155	6	M10 x 80	1S50523G00
225 x 3"	4	33	127,5	280	173	2180	6	M10 x 80	1S50523I00
225 x 4"	4	42	127,5	280	173	2210	6	M10 x 80	1S50523L00
250 x 1 ¹ / ₄ "	4	24	142	313	181	2545	6	M10 x 80	1S50526E00
250 x 1 ¹ / ₂ "	4	24	142	313	181	2548	6	M10 x 80	1S50526F00
250 x 2"	4	22,4	142	313	181	2552	6	M10 x 80	1S50526G00
250 x 3"	4	33	142	313	181	2566	6	M10 x 80	1S50526I00
250 x 4"	4	42	142	313	181	2570	6	M10 x 80	1S50526L00
280 x 1 ¹ / ₄ "	4	24	171	385	190	4069	6	M10 x 80	1S50528E00
280 x 1 ¹ / ₂ "	4	24	171	385	190	4072	6	M10 x 80	1S50528F00
280 x 2"	4	24	171	385	190	4076	6	M10 x 80	1S50528G00
280 x 3"	4	33	171	385	190	4090	6	M10 x 80	1S50528I00
280 x 4"	4	42	171	385	190	4094	6	M10 x 80	1S50528L00
315 x 1 ¹ / ₄ "	4	24	171	385	190	3168	6	M10 x 80	1S50533E00
315 x 1 ¹ / ₂ "	4	24	171	385	190	3171	6	M10 x 80	1S50533F00
315 x 2"	4	24	171	385	190	3175	6	M10 x 80	1S50533G00
315 x 3"	4	33	171	385	190	3189	6	M10 x 80	1S50533I00
315 x 4"	4	42	171	385	190	3193	6	M10 x 80	1S50533L00



508

Clamp saddle double branch with reinforcing metal ring

Metal ring: AISI 430

Gaskets: NBR O-ring

Bolts: Zinc chromed steel. 2, 4 or 6 PCS. according to the diameter

D x G x G	PN	L	Z	E	H	g	n°Bolts	Bolts	Code
63 x 1 ¹ / ₂ " x 1 ¹ / ₂ "	10	17	40	100	71	250	4	M8 x 50	1S50863B00
63 x 3 ³ / ₄ " x 3 ³ / ₄ "	10	20	40	100	71	252	4	M8 x 50	1S50863C00
63 x 1" x 1"	10	22	40	100	71	272	4	M8 x 50	1S50863D00
63 x 1 ¹ / ₄ " x 1 ¹ / ₄ "	10	24	40	100	71	292	4	M8 x 50	1S50863E00
63 x 1 ¹ / ₂ " x 1 ¹ / ₂ "	10	24	40	100	71	308	4	M8 x 50	1S50863F00

D x G x G	PN	L	Z	E	H	g	n°Bolts	Bolts	Code
75 x 1/2" x 1/2"	10	17	44,5	170	91	320	4	M8 x 60	1S50875B00
75 x 3/4" x 3/4"	10	20	44,5	170	91	324	4	M8 x 60	1S50875C00
75 x 1" x 1"	10	22	44,5	170	91	340	4	M8 x 60	1S50875D00
75 x 1"1/4 x 1"1/4	10	24	44,5	170	91	356	4	M8 x 60	1S50875E00
75 x 1"1/2 x 1"1/2	10	24	44,5	170	91	364	4	M8 x 60	1S50875F00
75 x 2" x 2"	10	26	44,5	170	91	392	4	M8 x 60	1S50875G00
90 x 1/2" x 1/2"	10	17	52	137	91	362	4	M8 x 60	1S50890B00
90 x 3/4" x 3/4"	10	20	52	137	91	366	4	M8 x 60	1S50890C00
90 x 1" x 1"	10	22	52	137	91	374	4	M8 x 60	1S50890D00
90 x 1"1/4 x 1"1/4	10	24	52	137	91	392	4	M8 x 60	1S50890E00
90 x 1"1/2 x 1"1/2	10	24	52	137	91	398	4	M8 x 60	1S50890F00
90 x 2" x 2"	10	24	52	137	91	414	4	M8 x 60	1S50890G00
110 x 1/2" x 1/2"	10	33	65	155	98,5	408	4	M8 x 60	1S50811B00
110 x 3/4" x 3/4"	10	20	65	155	98,5	414	4	M8 x 60	1S50811C00
110 x 1" x 1"	10	22	65	155	98,5	422	4	M8 x 60	1S50811D00
110 x 1"1/4 x 1"1/4	10	24	65	155	98,5	450	4	M8 x 60	1S50811E00
110 x 1"1/2 x 1"1/2	10	24	65	155	98,5	466	4	M8 x 60	1S50811F00
110 x 2" x 2"	10	24	65	155	98,5	494	4	M8 x 60	1S50811G00
110 x 3" x 3"	10	33	65	159	118,5	730	4	M8 x 60	1S50811I00
125 x 3/4" x 3/4"	10	20	73,5	168	101	540	4	M8 x 60	1S50813C00
125 x 1" x 1"	10	22	73,5	168	101	553	4	M8 x 60	1S50813D00
125 x 1"1/4 x 1"1/4	10	24	73,5	168	101	575	4	M8 x 60	1S50813E00
125 x 1"1/2 x 1"1/2	10	24	73,5	168	101	589	4	M8 x 60	1S50813F00
125 x 2" x 2"	10	24	73,5	168	101	615	4	M8 x 60	1S50813G00
140 x 1" x 1"	10	22	80	189	134	968	6	M8 x 75	1S50815D00
140 x 1"1/4 x 1"1/4	10	24	80	189	134	985	6	M8 x 75	1S50815E00
140 x 1"1/2 x 1"1/2	10	24	80	189	134	995	6	M8 x 75	1S50815F00
140 x 2" x 2"	10	24	80	189	134	1015	6	M8 x 75	1S50815G00
140 x 2"1/2 x 2"1/2	10	24	80	189	134	1070	6	M8 x 75	1S50815H00
140 x 3" x 3"	10	33	80	189	134	1200	6	M8 x 75	1S50815I00
160 x 3/4" x 3/4"	10	22	88	213	137	1045	6	M8 x 75	1S50817C00
160 x 1" x 1"	10	22	88	213	137	1045	6	M8 x 75	1S50817D00
160 x 1"1/4 x 1"1/4	10	24	88	213	137	1080	6	M8 x 75	1S50817E00
160 x 1"1/2 x 1"1/2	10	24	88	213	137	1098	6	M8 x 75	1S50817F00
160 x 2" x 2"	10	28,5	88	213	135	1135	6	M8 x 75	1S50817G00
160 x 3" x 3"	10	36	88	213	135	1120	6	M8 x 75	1S50817I00
180 x 1"1/4 x 1"1/4	6	24	115	265	171	2356	6	M10 x 80	1S50818E00
180 x 1"1/2 x 1"1/2	6	24	115	265	171	2380	6	M10 x 80	1S50818F00
180 x 2" x 2"	6	24	115	265	171	2460	6	M10 x 80	1S50818G00
180 x 3" x 3"	6	33	115	265	171	2660	6	M10 x 80	1S50818I00
180 x 4" x 4"	6	42	115	265	171	2840	6	M10 x 80	1S50818L00
200 x 1"1/4 x 1"1/4	6	24	115	265	171	1910	6	M10 x 80	1S50821E00

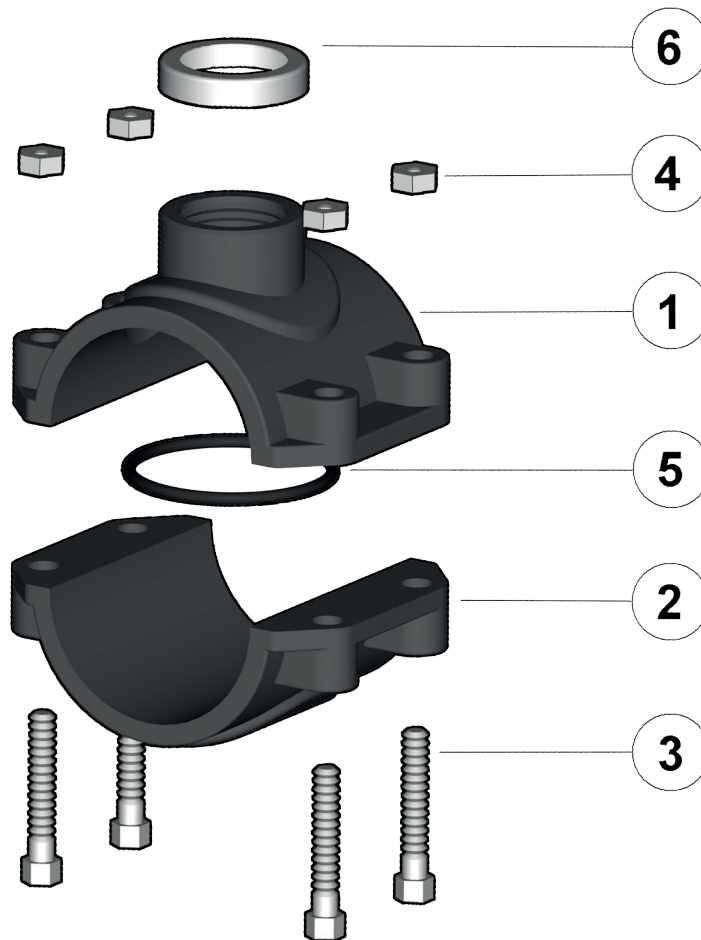
D x G x G	PN	L	Z	E	H	g	n°Bolts	Bolts	Code
200 x 1"1/2 x 1"1/2	6	24	115	265	171	1935	6	M10 x 80	1S50821F00
200 x 2" x 2"	6	24	115	265	171	1980	6	M10 x 80	1S50821G00
200 x 3" x 3"	6	33	115	265	171	2200	6	M10 x 80	1S50821I00
200 x 4" x 4"	6	42	115	265	171	2380	6	M10 x 80	1S50821L00
225 x 1"1/4 x 1"1/4	4	24	127,5	280	173	2110	6	M10 x 80	1S50823E00
225 x 1"1/2 x 1"1/2	4	24	127,5	280	173	2130	6	M10 x 80	1S50823F00
225 x 2" x 2"	4	24	127,5	280	173	2195	6	M10 x 80	1S50823G00
225 x 3" x 3"	4	33	127,5	280	173	2420	6	M10 x 80	1S50823I00
225 x 4" x 4"	4	42	127,5	280	173	2600	6	M10 x 80	1S50823L00
250 x 1"1/4 x 1"1/4	4	24	142	313	181	2580	6	M10 x 80	1S50826E00
250 x 1"1/2 x 1"1/2	4	24	142	313	181	2600	6	M10 x 80	1S50826F00
250 x 2" x 2"	4	24	142	313	181	2650	6	M10 x 80	1S50826G00
250 x 3" x 3"	4	33	142	313	181	2860	6	M10 x 80	1S50826I00
250 x 4" x 4"	4	42	142	313	181	3040	6	M10 x 80	1S50826L00
280 x 1"1/4 x 1"1/4	4	24	171	385	190	4050	6	M10 x 80	1S50828E00
280 x 1"1/2 x 1"1/2	4	24	171	385	190	4070	6	M10 x 80	1S50828F00
280 x 2" x 2"	4	22,4	171	385	190	4120	6	M10 x 80	1S50828G00
280 x 3" x 3"	4	33	171	385	190	4320	6	M10 x 80	1S50828I00
280 x 4" x 4"	4	42	171	385	190	4500	6	M10 x 80	1S50828L00
315 x 1"1/4 x 1"1/4	4	24	171	385	190	3105	6	M10 x 80	1S50833E00
315 x 1"1/2 x 1"1/2	4	24	171	385	190	3120	6	M10 x 80	1S50833F00
315 x 2" x 2"	4	24	171	385	190	3170	6	M10 x 80	1S50833G00
315 x 3" x 3"	4	33	171	385	190	3400	6	M10 x 80	1S50833I00
315 x 4" x 4"	4	42	171	385	190	3600	6	M10 x 80	1S50833L00

GASKET O-RING IN NBR

D	Code
20	3OR01171
25	3OR01191
32	3OR40811
32 x 1"	3OR40931
40	3OR01341
50	3OR41371
63	3OR01531
75	3OR62371
90	3OR62371
110	3OR62251
110 x 3"	3OR63371
125	3OR62251
140	3OR63371
160	3OR63501
180	OR8450N
200	OR8450N
225	OR8450N
250	OR8450N
280	OR8450N
315	OR8450N

COMPONENTS

EXPLODED VIEW 505



- 1 Upper part (PP - 1)
- 2 Bottom part (PP - 1)

- 3 Bolts (Zinc plated steel - 4)
- 4 Nuts (Zinc plated steel - 4)

- 5 O-Ring (NBR - 1)
- 6 Reinforcing ring (Stainless steel -1)

Inside brackets are indicated the material and the quantity supplied for each component.