



# Product data sheet

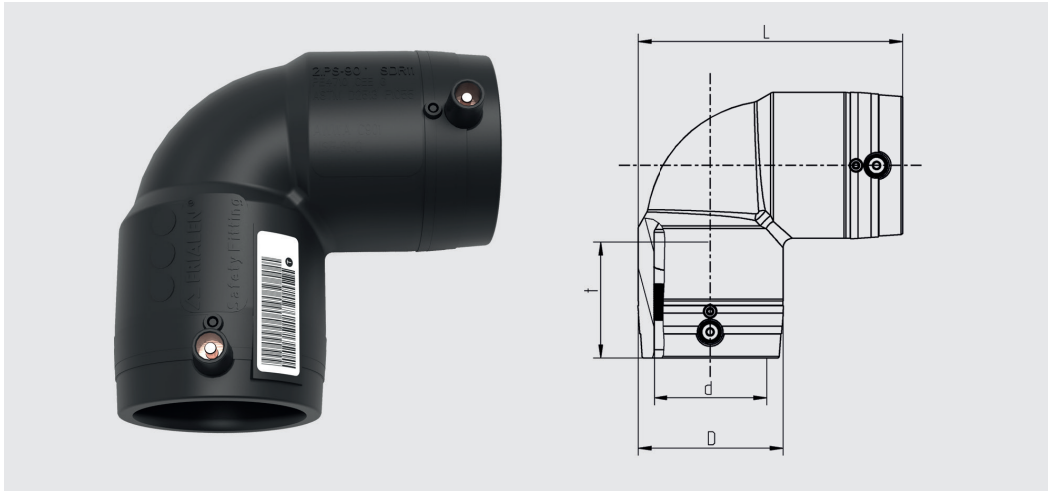
## ELBOW



- Dimensions 1 IPS, 1 ¼ IPS, 2 IPS, 4 IPS
- Field of Application: Connections of PE Pipes 2406/2708 and 3408/4710
- Range of Application: Gas up to 125 psi / Water up to 200 psi
- Complies with ASTM F 1055, ASTM D 2513 and ASTM F 2897
- Certified to CSA B137.4.1
- This data sheet is part of the technical documentation of this product



## FRIALEN ELBOW



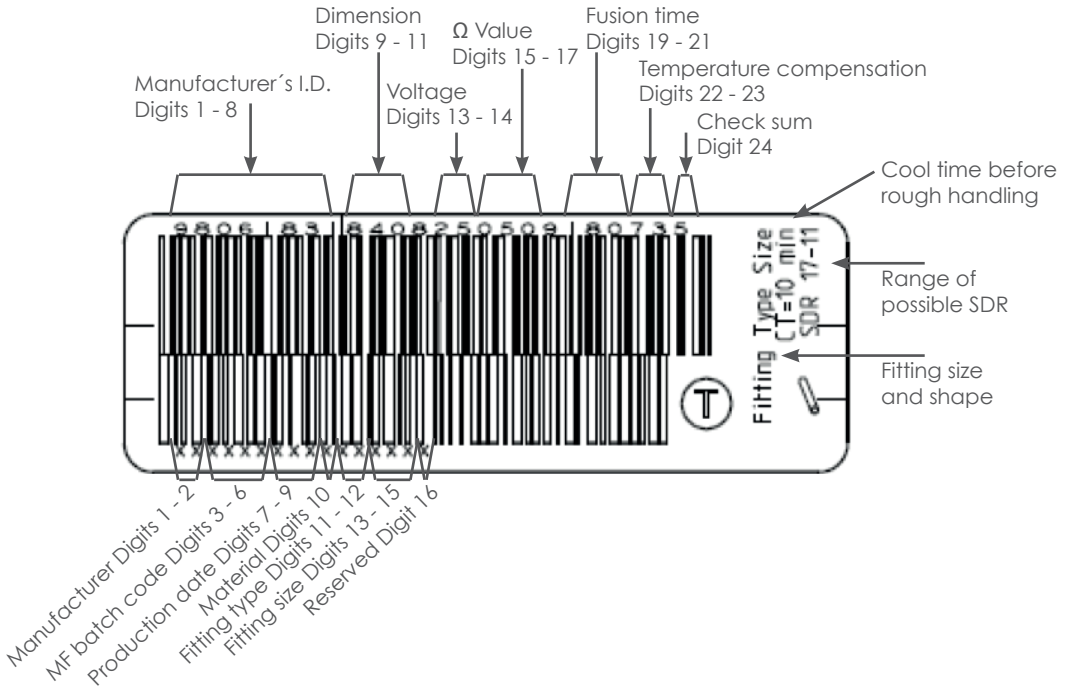
Nominal Pipe (in)	Main Size (in)	Product Code	$d_{min}/d_{max}$ (in)	t (in)	D (in)	L (in)
1	IPS	617113	1.315/1.326	1.653	1.724	3.579
1 ¼	IPS	617114	1.658/1.673	1.889	2.157	3.953
2	IPS	617115	2.375/2.389	2.440	3.070	5.591
4	IPS	617116	4.500/4.519	3.149	5.787	8.858

- Increased coupler depth
- Extra wide fusion zones
- Increased wall thickness providing maximum stability
- Exposed heating coil with direct contact to pipe
- Contacts are safe to touch
- Visual fusion indicator
- Batch marking
- Individually wrapped
- NSF – 61-G

Fusion Conditions					
Dimension	Voltage	+23°C / +73°F	- 30°C / -22°F	+50°C / +122°F	Cooling Time
1 IPS	32 Volts	40 sec.	54 sec.	37 sec.	5 min.
1 ¼ IPS	38 Volts	60 sec.	81 sec.	55 sec.	7 min.
2 IPS	29 Volts	65 sec.	88 sec.	60 sec.	7 min.
4 IPS	27 Volts	180 sec.	242 sec.	165 sec.	10 min.

### Barcode Label - description

- Upper Barcode: ISO 13950 Universal Programming Code
- Lower Barcode: ASTM F-2897 Tracking and Traceability Code



### Technical Data

- Production Site: 1" - 2": Goa - India / 4": Mannheim - Germany
- Material: Resin ELTEX TUB 121 N 6000
- Terminal Pin: 4mm
- Marking: FRIALEN Safety Fittings
  - XXIPS SDR11
  - PE4710 CEE G CC3
  - ASTM D2513 F1055 F2897
  - AWWA C906 PC200 (from 4")
  - NSF-61-G
  - FM 160 (from 4")
  - CSA B137.4.1

### Batch Code Stamp

- Production week (KW) (stamp 1+2)
- Production year (stamp 2 center)
- Material identification letter (stamp 3)



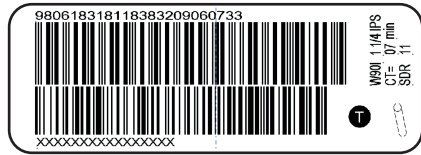
KW 14/19/E

## Barcode Label\* - ELBOW

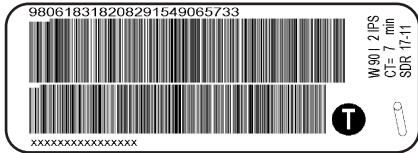
ELBOW 1 IPS



ELBOW 1 ¼ IPS



ELBOW 2 IPS



ELBOW 4 IPS



\* The above data sheet barcode is only a representation of the functional barcode which is affixed to the fitting and may not contain critical parameters. The functional barcode affixed to the fitting contains parameters which are relevant at time of production. For actual fusion and traceability purposes, ONLY the functional barcode affixed to the fitting may be used.



### Customer contact USA: IPEX USA LLC.

10100 Rodney Street, Pineville,  
North Carolina 28134, USA  
Tel. 1-800-463-9572  
[www.ipexna.com/en-us/](http://www.ipexna.com/en-us/)



### Customer contact Canada: Aliaxis Deutschland GmbH

Infrastructure  
Steinzeugstraße 50  
68229 Mannheim, Germany  
T +49 621 486 2238  
[info.de@alixis.com](mailto:info.de@alixis.com)  
[www.alixis.de/en](http://www.alixis.de/en)

